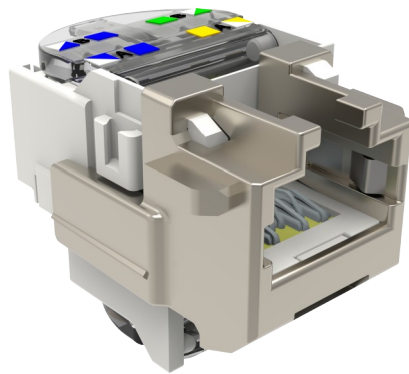


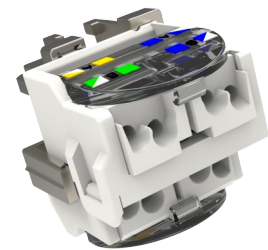
Data jack CobiNet RJ45-TL® rapid, Cat. 6A, 500 MHz, unshielded

The CobiNet RJ45-TL® rapid data jack is an essential component of CobiNet's innovative modular termination technology. It enables the economical, time-saving and cost-efficient construction of service-neutral cabling with a transmission capacity of up to 10 Gbit/s in a wide variety of installation environments (data socket, ducts, floor boxes, etc...). Additional economic advantages are achieved by the easy and quick installation thanks to user-friendly, easy-to-operate levers for connecting the wire pairs. These enable even untrained staff to install safely and reduce the risk of wiring errors. To further insure against possible wiring errors, viewing windows on the rear wiring terminals provide the opportunity to visually check that the wires have been correctly installed according to the printed coding.

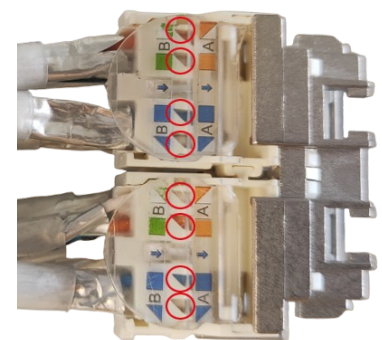
The jack ensures reliable operation with data cables from various manufacturers, by complying with the Cat. 6A component standard according to TIA with large performance reserves. In addition, the CobiNet RJ45-TL® rapid data jack supports the safe operation of Power-over-Ethernet applications. The RJ45 contacts are specially optimised for PoE applications with a power of up to 90 watts (in accordance with IEEE 802.3bt/Type 4/4PPoE).



Picture 1: Front View



Picture 2: Illustration from behind.
Lever for wiring the wire pairs



Picture 3: Visual inspection after wiring through integrated viewing window (Fig. shows double socket 126809)



Features and Design

- Exceeds ANSI/TIA-568-C.2, Category 6A
- Exceeds DIN EN 60603-7-41 VDE 0687-603-7-41:2011-01
- Cat.6A re-embedded tested according to IEC 60512-27-100
- Permanent link Class EA according to ISO/IEC 11801
- PoE/PoE+/PoE++ (IEEE 802.3af/IEEE 802.3at/IEEE 802.3bt (4-pair PoE))DIN IEC 60512-99-001 & DIN IEC 60512-9-3
- Tool-free, simple and time-saving installation without special tools (only standard side cutters and removal tool required)
- Sturdy, compact zinc die-cast housing at the front
- Easy contacting of the cores via integrated sliders with levers
- Colour coding according to T568A and T568B
- Gold-plated RJ45 contact area
- Tin-plated LSA insulation displacement terminals with 45° tilt for maximum contact reliability due to torsional and restoring forces on the wire
- Suitable for wires AWG 22/1-24/1
- Multiple reconnectable
- Suitable for RJ11- and RJ12 plugs
- PU= 10 pcs.

Technical specification

Climate area

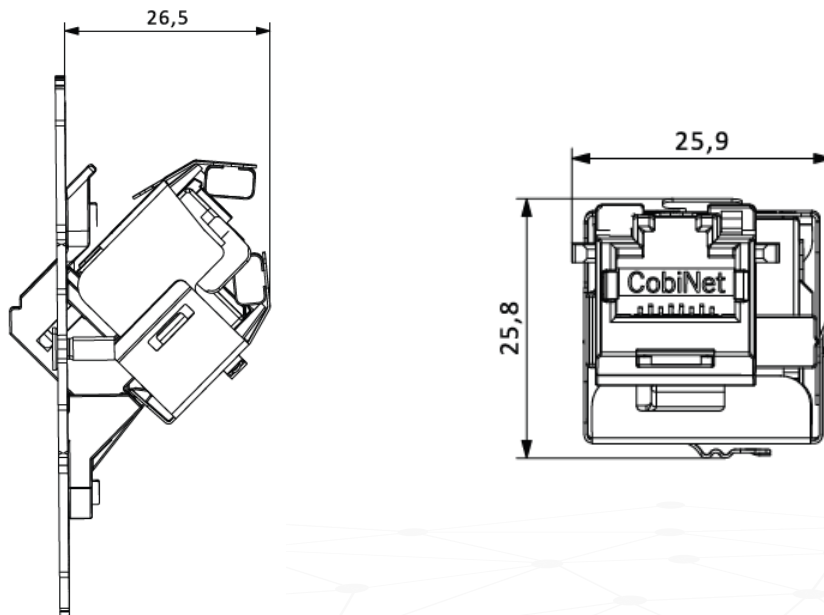
Use in dry or damp rooms without condensation.

- Storage temperature range.....-40 bis +70 °C (-40 bis 158 °F)
- Operation temperature range.....-15 bis +60 °C (5 bis 140 °F)

Mechanische Daten

- Material
 - RJ45 contacts.....Spring steel, contact surface >1 µm Gold
 - LSA contact.....CuSn, tin-plated
- Permitted wire diameters, solid.....AWG 22/1 up to AWG 24/1
- Permitted insulation diameter.....0.8 up to 1.6 mm
- Min. plugging cycles according to ISO/IEC 11801.....>1000
- Dimensions:
 - Wide.....25.9 mm
 - High.....25,5 mm
 - Depth.....37,7 mm
 - Support plate:
 - Wide.....69.9 mm
 - High.....69.9 mm
 - Depth.....1.2 mm
- Weight.....0,020 kg

Dimensions:



Picture 4: RJ45-TL® rapid in support plate (P/N.: 127138)

Transmission and electrical data

- Exceeds ANSI/TIA-568-C.2, Category 6A
- Exceeds DIN EN 60603-7-41 VDE 0687-603-7-41:2011-01
- Cat.6A re-embedded tested according to IEC 60512-27-100
- Class EA permanent link according to ANSI/TIA-568-C.2, ISO/IEC 11801- 1:2017
- PoE-capable up to 100 watts according to IEEE 802.3af/IEEE 802.3at/IEEE 802.3bt (4PPoE)
- Dielectric strength according to IEC 60603-7 >1000 V
- Insulation resistance according to IEC 60603-7 > 500 MΩ (500 VDC)
- Contact resistance according to IEC 60603-7 <5 mΩ
- DIN EN 60603-7-41:2011-01 Connectors for electronic equipment - Part 7-41: Type specification for unshielded free and fixed connectors, 8-pole, for data transmission up to 500 Mhz

Accessories

P/N	Description
127138	Empty support plate RJ45-TL® incl. central plate 50x50 with integrated dust protection flaps, PU: 10 pcs.
125031	Cover frame 80x80 mm, colour: similar to RAL 9010 (pure white) PU: 10 pcs.



For the installation of RJ45-TL® jacks, CobiNet recommends the standard stripping tool CobiNet CS1 (P/N: 124725) with adjustable length stop for defined stripping of the cable jacket and scratching of the pair foils for network cables from 3 - 10 mm diameter.